



TECH SPECS

Architecture:	Simultaneous multiple beams
Processing Type:	Pulsed Doppler
Frequency Band:	S (3.0 to 3.3 GHz)
Range Resolution:	10 or 20 m (adjustable)
Selectable Frequency Bands:	6 calibrated
Instrumented Range:	5 km
	Detection Ranges*
	Large Aircraft: 3 km
	Vehicle: 3 km
	Walker: 2 km
	Drone (DJI Phantom IV): 1.5 km
Azimuth FOV:	360°
Elevation FOV:	100°
Software Defined Update Rate:	1-5 Hz
Minimum Detectable Velocity:	0.25 - 1 mph
Weight:	22.7 kg 50 lbs.
Dimensions:	57.2 cm x 57.2 cm x 54.1 cm 22.5" x 22.5" x 21.3"
Power Draw:	50W
Operating Temperature:	-20°C to +60°C -4°F to +140°F
Component Temperature:	-40°C to +85°C -40°F to +185°F
Heating/Cooling:	Passive

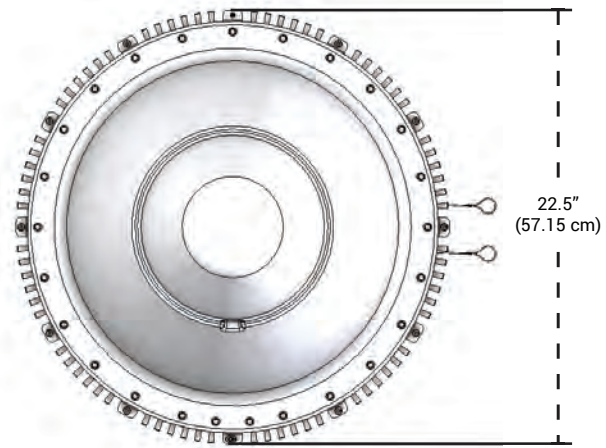
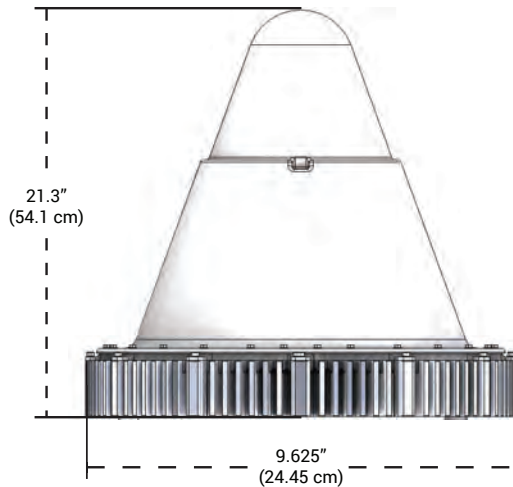
* Achieving maximum detection ranges requires sufficient mounting height and line of sight, especially for ground targets.

GROUND AWARE® GA3360

MID-RANGE 360° 3D RADAR SYSTEM

OWL GroundAware GA3360 3D digital multibeamforming radar system is the ideal solution for drone detection and counter UAS applications, as well as mid-range ground solutions. The GA3360 combines advanced digital beamforming radar technology, classification intelligence, reconfigurability, and easy integration with other security systems to bring real-time, all-weather situational awareness for the physical security of perimeters and other sensitive areas of critical sites.

As the foundation for event-based layered security, GA3360 enables automated detection, tracking, deterrence, and response to intrusions, including drones, within 3 km and 360° field of view of critical sites. GA3360 is a fully hemispheric system, enabling ground and air surveillance simultaneously.



FEATURES

- Digital beamforming radar technology for highly reliable all-weather detection and tracking of all target types
- Target classification to distinguish among humans, animals, vehicles, aircraft, and drones for alarming on targets of concern, avoiding nuisances
- 3D antenna to measure elevations of targets for effective detection and classification of Group 1 and larger drones
- Seamless integration with cameras, VMS, success control, audible alarms, security lights, drones, command-and-control systems, and kinetic and electronic counter-measure systems
- Customizable alarm zones with automatic response triggers
- Wide-area coverage minimizes infrastructure costs
- Solid State system with no moving parts
- Backed by full warranty

APPLICATIONS

GA3360 is the ideal solution for simultaneous drone detection/counter-UAS and ground/perimeter surveillance of mid-sized critical sites or areas of larger sites. Real-world applications include:

- Logistics facilities
- Correctional facilities
- Airports
- Oil and gas sites
- Natural gas transport, storage, and distribution sites
- Renewable energy sites
- Electric utility transmission substations
- Water reservoirs and treatment plants
- Campuses

GA3360 can be mounted on towers, poles, buildings, and mobile platforms.

Observation Without Limits (OWL), a Dynetics business, leverages more than 45 years of radar expertise to develop, manufacture, and support the OWL GroundAware family of 2D and 3D digital beamforming radar solutions. Critical infrastructure and government sectors around the world use OWL solutions for ground, water surface, and low-altitude airspace surveillance as the foundation for their event-based layered security plans.

www.owlknows.com | 888-297-9559 | +1 (256) 713-5021

